

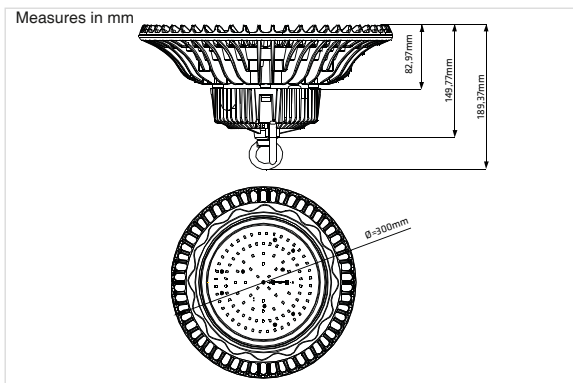
HB100W

100W Round LED High Bay

Product



Measures

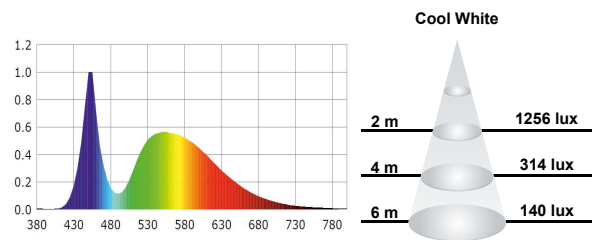


Technical Data

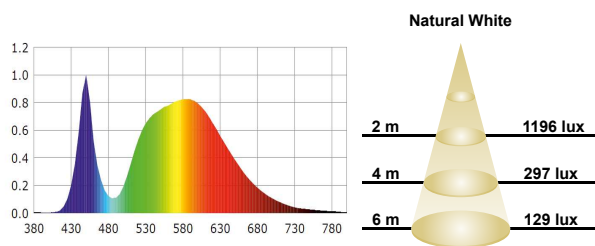
Power supply:	110~240Vac 50/60Hz
Power:	100W
Nº of LEDs:	140 chips SMD3030 PHILIPS
Power factor:	>0.90
Luminous efficiency:	130 lm/w
LED power:	0,70W
Luminous flux:	13000lm (BF) 12500lm (BN)
Luminous intensity:	5000cd
IP Code:	IP65
Operating temperature:	-20°C +50°C
Nº of switching:	30.000
Certifications:	CE, RoHS
Energy Efficiency:	A+
Lifespan:	50.000h (L70:B10)
Dimming:	Yes, MEAN WELL HBG(Optional)
Weight:	3700 grammes

Photometric data

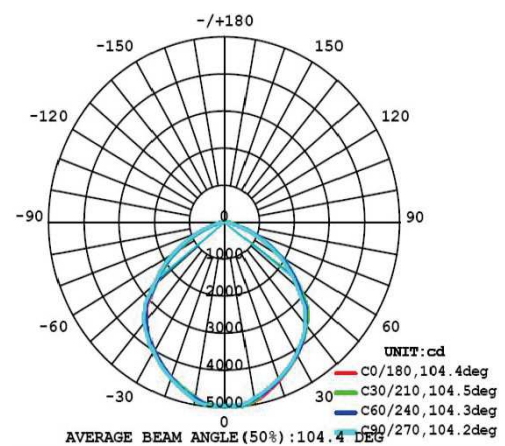
Angle =120°
Luminous Flux =13000 lm
Colour Temperature CCT =5500K (BF)
CRI =>80



Angle =120°
Luminous Flux =12500 lm
Colour Temperature CCT =4000K (BN)
CRI =>80



Luminous Intensity Distribution Curve



Chip used

PHILIPS



ThreeLine TECHNOLOGY