

# MINIDL9W

9W Recessed Led MiniDownlight

Finished:

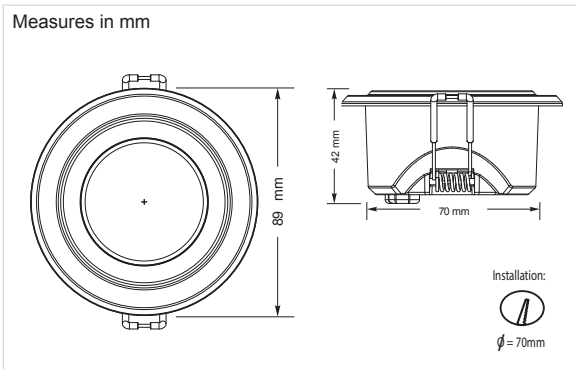
Options:



## Product



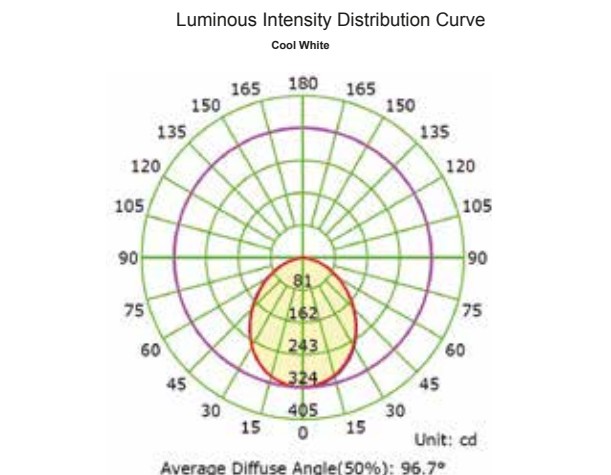
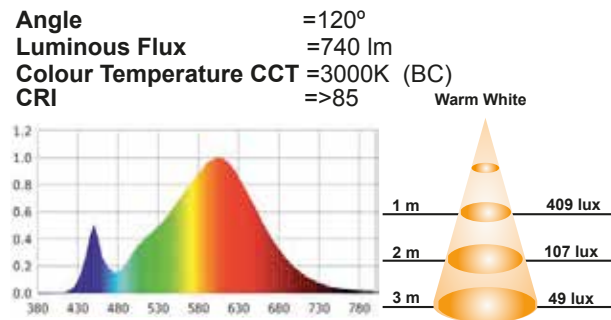
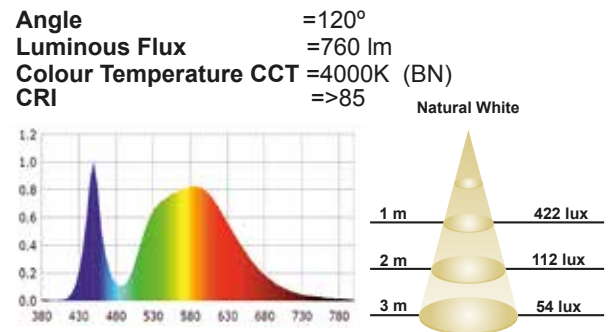
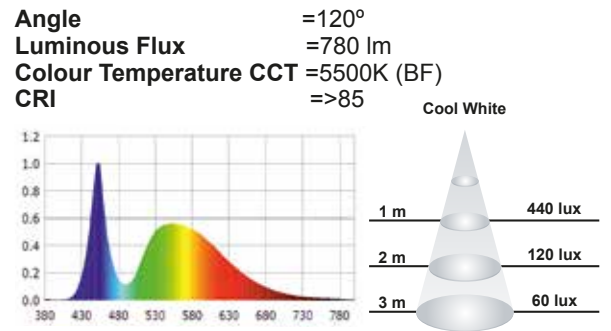
## Measures



## Technical Data

Power supply:	175~240Vac 50/60Hz
Power:	9W
Nº of LEDs:	10 chips SMD3030
Power factor:	>0.85
Luminous efficiency	87 lm/w
LED power:	0,9W
Luminous flux:	780 lm (BF) 760 lm (BN) 740 lm (BC)
Luminous intensity:	325cd
IP Code:	IP20
Operating temperature:	-10°C +40°C
Nº of switching:	15.000
Certifications:	CE, RoHS
Energy Efficiency:	A+
Lifespan:	30.000h (L70:B10)
Weight:	110 grammes

## Photometric data



Chip used

**EPISTAR**



**ThreeLine**  
 TECHNOLOGY