

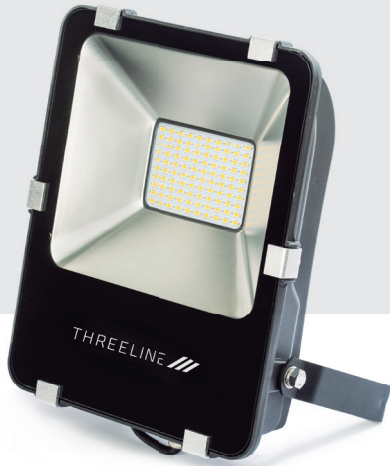
**PRG50W**  
50W LED Projector



**SPECIFICATIONS · PRODUCT DATA**

# PRG50W

50W LED Projector



HIGH EFFICIENCY  
120 lm/W

#### RECOMMENDED

BUILDINGS AND FAÇADES  
GARDENS  
TERRACES

#### MAIN CHARACTERISTICS

ENERGY SAVINGS OF UP TO 80%  
PRG ANTI-CONDENSATION FILTER RANGE

#### BENEFITS OF THIS PRODUCT

EXCLUSIVE DESIGN  
EASY INSTALLATION

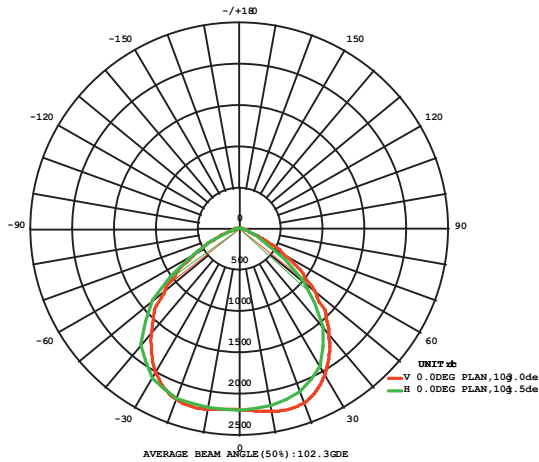
PRO



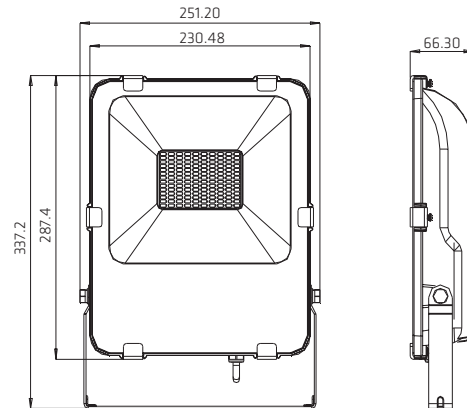
## SPECIFICATIONS · PRODUCT DATA

Electrical data	
Input	110 ~ 240Vac
Mains frequency	50/60Hz
Power	50W
Power factor	>0,95
LEDs no.	100 chips SMD2835
LED power	0.50W
IEC protection Class	Class I
Photometric data	
Luminous efficiency	120 lm/w
CRI (Ra)	>80
Luminous flux (Nominal/Real) / CCT	7500 / 6000 lm · 6000K · BF 7450 / 5920 lm · 4000K · BN 7400 / 5840 lm · 3000K · BC
Luminous intensity	2266cd
SDCM Standard deviation colour adjustment	1
Angle of opening	120
Working Temp.	-10°C +40°C
No. of switchings	60.000
Certifications	CE, RoHS,
Energy Efficiency	A+
Working life	40.000h (L70:B10)
Materials and physical characteristics	
Body	Aluminum casting
Diffuser	Tempered glass
Reflector	Aluminum
Bracket	Aluminum casting
Finish	Black RAL 9004
Glow wire test	650°C, 30s
Measurements in mm (length x width x height)	251 X 66 X 337
Weight (g)	2365
Characteristics	
IP Rating	65
IK Rating	08
Options	
Dimming option	NO
Emergency Kit (KE) Option	NO
Motion Sensor (SP) Option	YES (SP65, Sensor Color Black)
Anti-condensation filter	Included
Anti-vandalism protector	Optional
Packaging	
Units (parts/unit)	6 units box




H (m)	Diameter (m)	E <sub>max</sub> (lx)
1	2,38	2190
2	4,76	548
3	7,14	243
4	9,52	137



### Measurements in mm



### References

IIIIII		W			CCT	CRI	IIIIII SP
PRG50WBFNE	NE	50 W	6000 lm	120°	BF: 6000K	> 80	PRG50WSPBFNE
PRG50WBNNE	NE	50 W	5920 lm	120°	BN: 4000K	> 80	PRG50WSPBNE
PRG50WBCNE	NE	50 W	5840 lm	120°	BC: 3000K	> 80	PRG50WSPBCNE

### Recommendations for use

It is recommended for a maximum daily use between 14 to 16 hours.

### Installation

