

| PRG150W
150W LED Projector



SPECIFICATIONS · PRODUCT DATA

PRG150W

150W LED Projector



HIGH EFFICIENCY
120 lm/W

RECOMMENDED

BUILDINGS AND FAÇADES
GARDENS
TERRACES

MAIN CHARACTERISTICS

ENERGY SAVINGS OF UP TO 80%
PRG ANTI-CONDENSATION FILTER RANGE

BENEFITS OF THIS PRODUCT

EXCLUSIVE DESIGN
EASY INSTALLATION

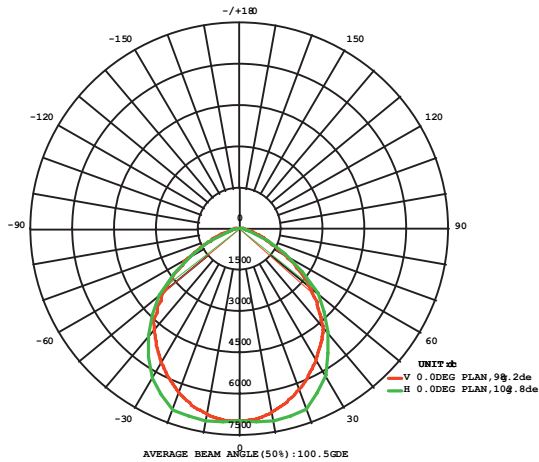
PRO



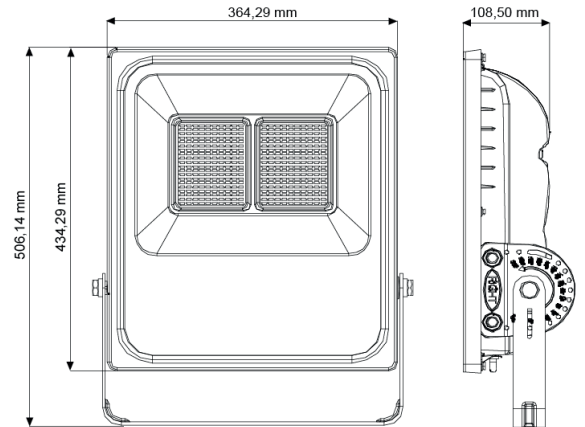
SPECIFICATIONS · PRODUCT DATA

Electrical data	
Input	110 ~ 240Vac
Mains frequency	50/60Hz
Power	150W
Power factor	>0.95
LEDs no.	308 chips SMD2835
LED power	0.48W
IEC protection Class	Class I
Photometric data	
Luminous efficiency	120 lm/w
CRI (Ra)	>80
Luminous flux (Nominal/Real) / CCT	22500 / 18000 lm · 6000K · BF 22400 / 17900 lm · 4000K · BN 22300 / 17800 lm · 3000K · BC
Luminous intensity	7081cd
SDCM Standard deviation colour adjustment	3.4
Angle of opening	120
Working Temp.	-10°C +40°C
No. of switchings	60.000
Certifications	CE, RoHS,
Energy Efficiency	A+
Working life	40.000h (L70:B10)
Materials and physical characteristics	
Body	Aluminum casting
Diffuser	Tempered glass
Reflector	Aluminum
Bracket	Aluminum casting
Finish	Black RAL 9004
Glow wire test	650°C, 30s
Measurements in mm (length x width x height)	364 X 108 X 506
Weight (g)	9200
Characteristics	
IP Rating	65
IK Rating	08
Options	
Dimming option	NO
Emergency Kit (KE) Option	NO
Motion Sensor (SP) Option	YES (SP65, Sensor Color Black)
Anti-condensation filter	Included
Anti-vandalism protector	Optional
Packaging	
Units (parts/unit)	1 units box

H (m)	Diameter (m)	E _{max} (lx)
2	4.30	1745
4	8.70	436
6	12.90	194
8	17.40	109



Measurements in mm



References

IIIIII	💡	W	💡	∠	CCT	CRI	IIIIII SP
PRG150WBFNE	NE	150 W	18000 lm	120°	BF: 6000K	> 80	PRG150WSPBFNE
PRG150WBNNE	NE	150 W	17900 lm	120°	BN: 4000K	> 80	PRG150WSPBNNE
PRG150WBCNE	NE	150 W	17800 lm	120°	BC: 3000K	> 80	PRG150WSPBCNE

Recommendations for use

It is recommended for a maximum daily use between 14 to 16 hours.

Installation

