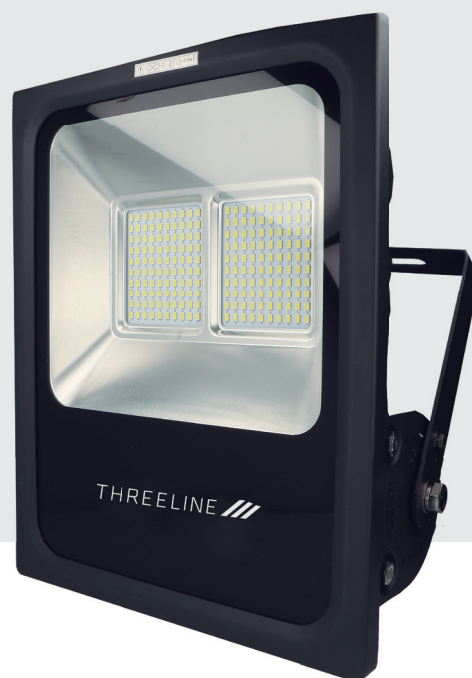


PRG100W
100W LED Projector



SPECIFICATIONS · PRODUCT DATA

PRG100W

100W LED Projector



HIGH EFFICIENCY
100 lm/W

RECOMMENDED

BUILDINGS AND FAÇADES
GARDENS
TERRACES

MAIN CHARACTERISTICS

ENERGY SAVINGS OF UP TO 80%
PRG ANTI-CONDENSATION FILTER RANGE

BENEFITS OF THIS PRODUCT

EXCLUSIVE DESIGN
EASY INSTALLATION

PRO

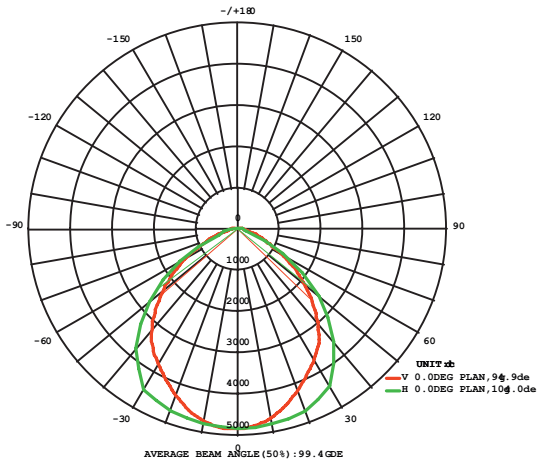
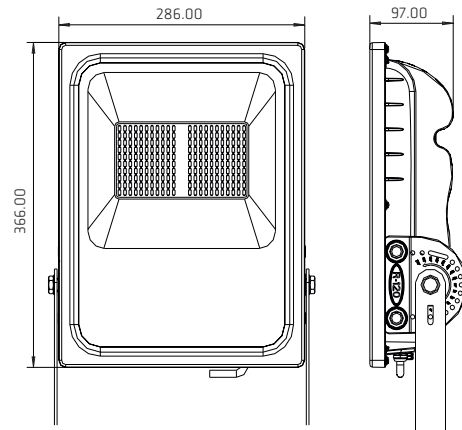


SPECIFICATIONS · PRODUCT DATA




Electrical data	
Input	110 ~ 240Vac
Mains frequency	50/60Hz
Power	100W
Power factor	>0,95
LEDs no.	200 chips SMD2835
LED power	0.5W
IEC protection Class	Class I
Photometric data	
Luminous efficiency	120 lm/w
CRI (Ra)	>80
Luminous flux (Nominal/Real) / CCT	15000 / 12000 lm · 6000K · BF 14900 / 11900 lm · 4000K · BN 14800 / 11800 lm · 3000K · BC
Luminous intensity	4835cd
SDCM Standard deviation colour adjustment	4,5
Angle of opening	120
Working Temp.	-10°C +40°C
No. of switchings	60.000
Certifications	CE, RoHS,
Energy Efficiency	A+
Working life	40.000h (L70:B10)
Materials and physical characteristics	
Body	Aluminum casting
Diffuser	Tempered glass
Reflector	Aluminum
Bracket	Aluminum casting
Finish	Black RAL 9004
Glow wire test	650°C, 30s
Measurements in mm (length x width x height)	286 X 97 X 438
Weight (g)	5395
Characteristics	
IP Rating	65
IK Rating	08
Options	
Dimming option	NO
Emergency Kit (KE) Option	NO
Motion Sensor (SP) Option	YES (SP65, Sensor Color Black)
Anti-condensation filter	Included
Anti-vandalism protector	Optional
Packaging	
Units (parts/unit)	2 units box

H (m)	Diameter (m)	E _{max} (lx)
2	4,36	1209
4	8,71	302
6	13,07	134
8	17,43	76

Measurements in mm



References

IIIIII		W			CCT	CRI	IIIIII SP
PRG100WBFNE	NE	100 W	12000 lm	120°	BF: 6000K	> 80	PRG100WSPBFNE
PRG100WBNNE	NE	100 W	11900 lm	120°	BN: 4000K	> 80	PRG100WSPBNNE
PRG100WBCNE	NE	100 W	11800 lm	120°	BC: 3000K	> 80	PRG100WSPBCNE

Recommendations for use

It is recommended for a maximum daily use between 14 to 16 hours.

Installation

