

DL10WN

10W Round DownLight

Finished:



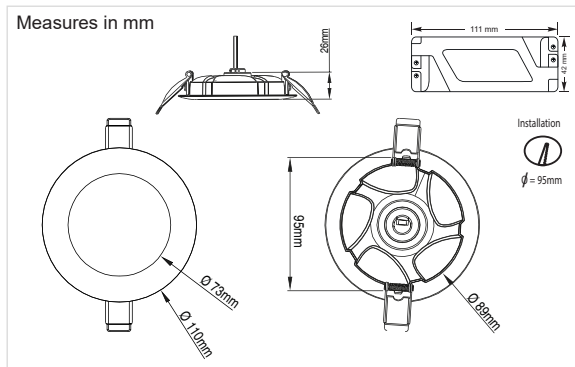
Options:



Product



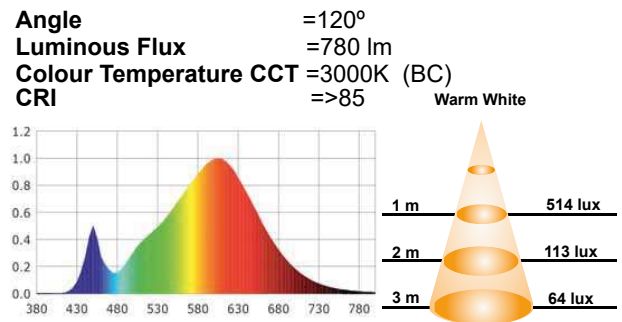
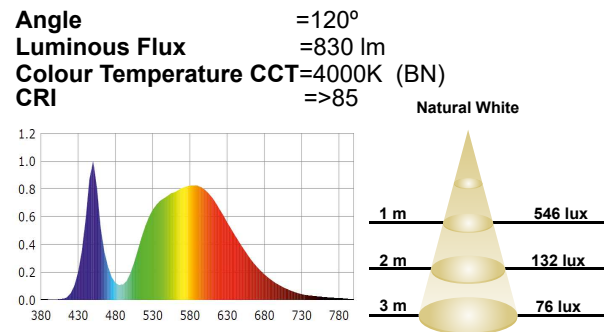
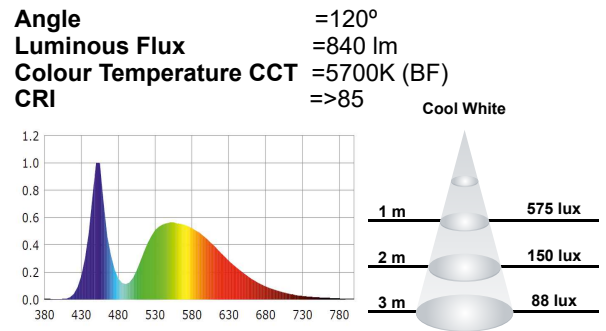
Measures



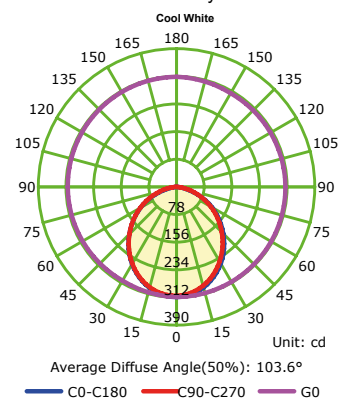
Technical Data

Power supply:	175~240Vac 50/60Hz
Power:	10W
Nº of LEDs:	48 chips SMD2835
Power factor:	>0.90
Luminous efficiency:	84 lm/w
LED power:	0,20W
Luminous flux:	840 lm (BF) 830 lm (BN) 780 lm (BC)
Luminous intensity:	315cd
IP Code:	IP20
Operating temperature:	-10°C +40°C
Nº of switching:	30.000
Certifications:	CE, RoHS
Energy Efficiency:	A+
Lifespan:	50.000h (L70:B10)
Dimming:	Si, (Optional DM250-700mA)
Weight:	230 grammes

Photometric data



Luminous Intensity Distribution Curve



Chip used

EPistar



ThreeLine
TECHNOLOGY